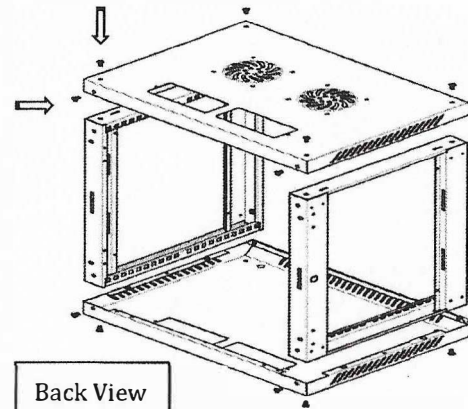


Step 1: Fix Top, Bottom with Frame

Get Parts Ready:

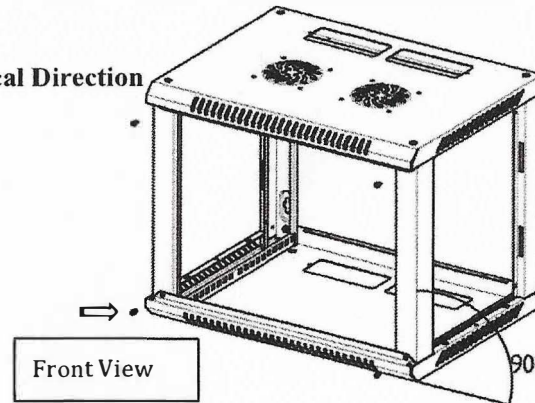
- > Top Cover (Part D) = 1Pc
- > Bottom Cover (Part E) = 1Pc
- > Frame (Part C) = 2Pcs
- > M6*9 "+" Self-Tapping Screw = 12Sets



Step 2: Adjust the Frame in Vertical Direction

Get Parts Ready:

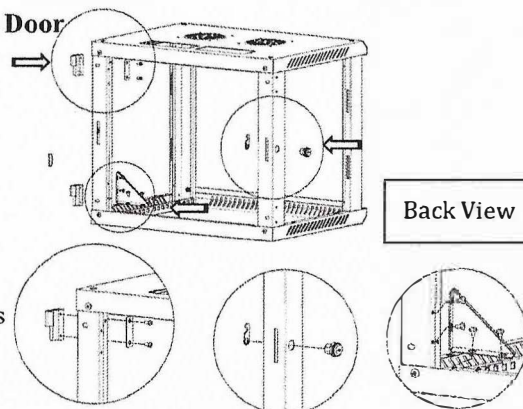
- > M6*9 "+" Self-Tapping Screw = 4Sets



Step 3: Install Hinge (A) and Back Door Lock, Fix Angle Bar with Screw

Get Parts Ready:

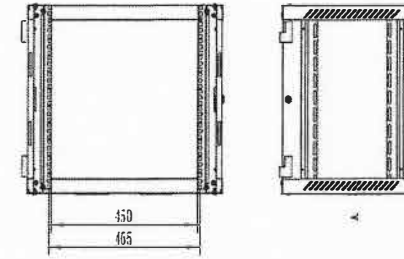
- > Hinge = 2Pc
- > Small Round Lock = 1Pc
- > Angle Bar (Part I) = 2Pcs
- > M5*10 "+" Self-Tapping Screw = 16Sets



Step 4: Install Rail Mounts

Get Parts Ready:

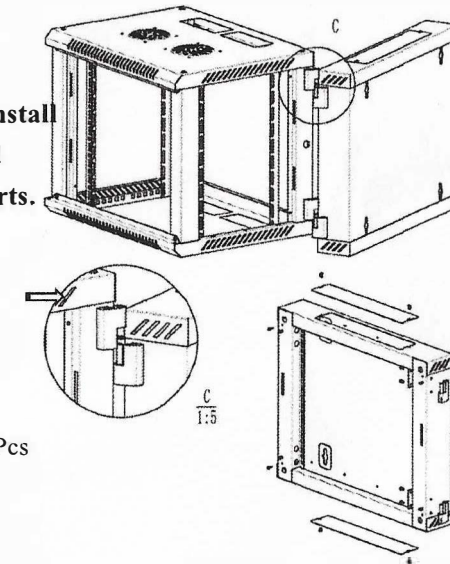
- > Rail Mount (Part G) = 4Pcs
- > M5*10 Screw = 8Pcs
- > M5 Cage Nuts = 8Pcs



Step 5: Fix the Entry Panel, Install Hinge (B) on the back door, and Connect the Front and Back Parts.

Get Parts Ready:

- > Back Door (Part F) = 1Pc
- > Entry Panel (Part H) = 4Pcs
- > M5*10 "+" Screw = 4Pcs
- > M4*8 "+" Self-Tapping Screw = 8Pcs



Step 6: Install Front Door and Side Door

Get Parts Ready:

- > Front Door (Part B) = 1Pc
- > Side Door (Part A) = 2Pcs

